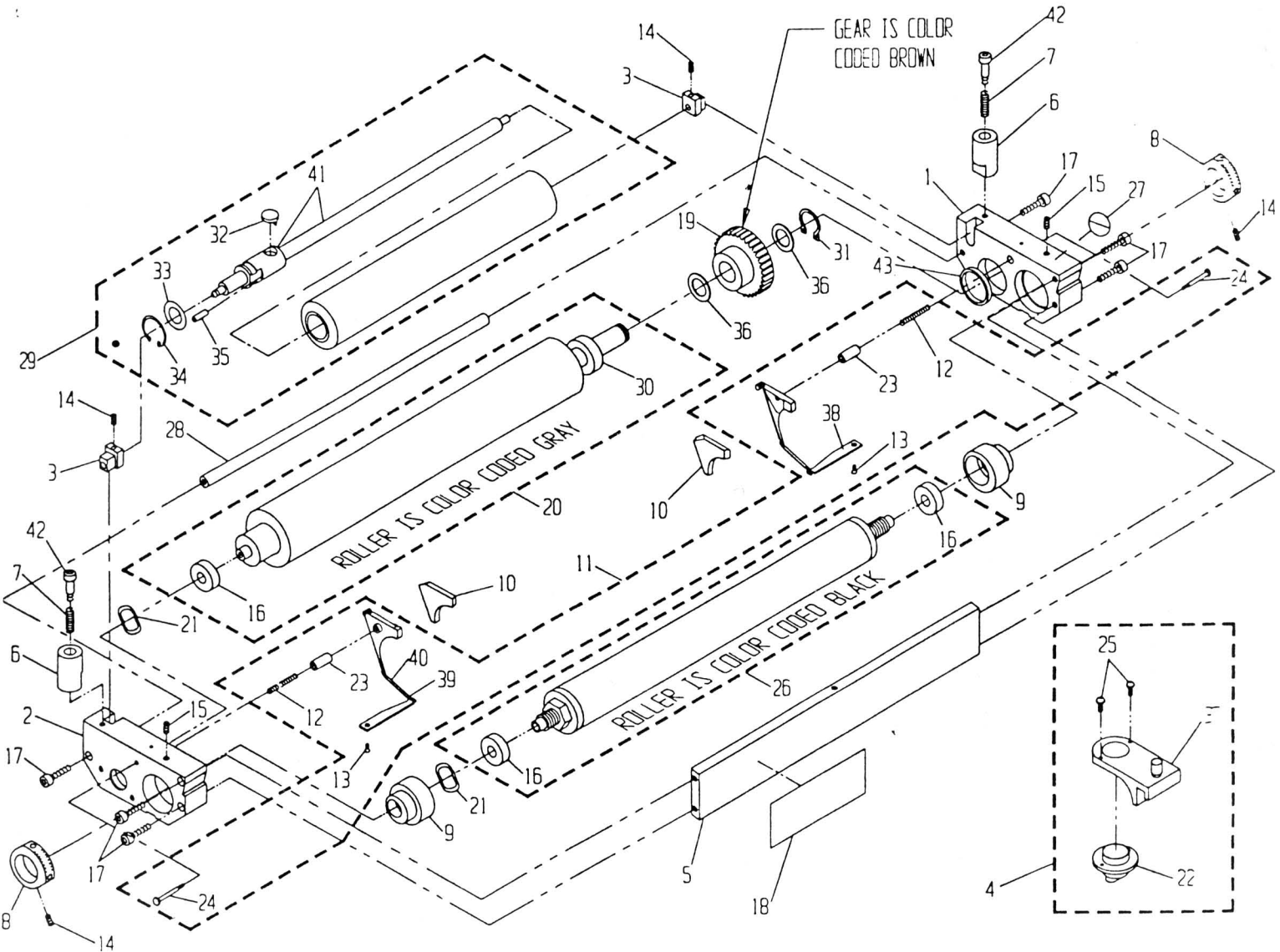


RYB 332 UNIT: P/N 094101

PARTS CATALOG #094102



* PART IS INCLUDED IN OUTLINED SUBASSEMBLY.

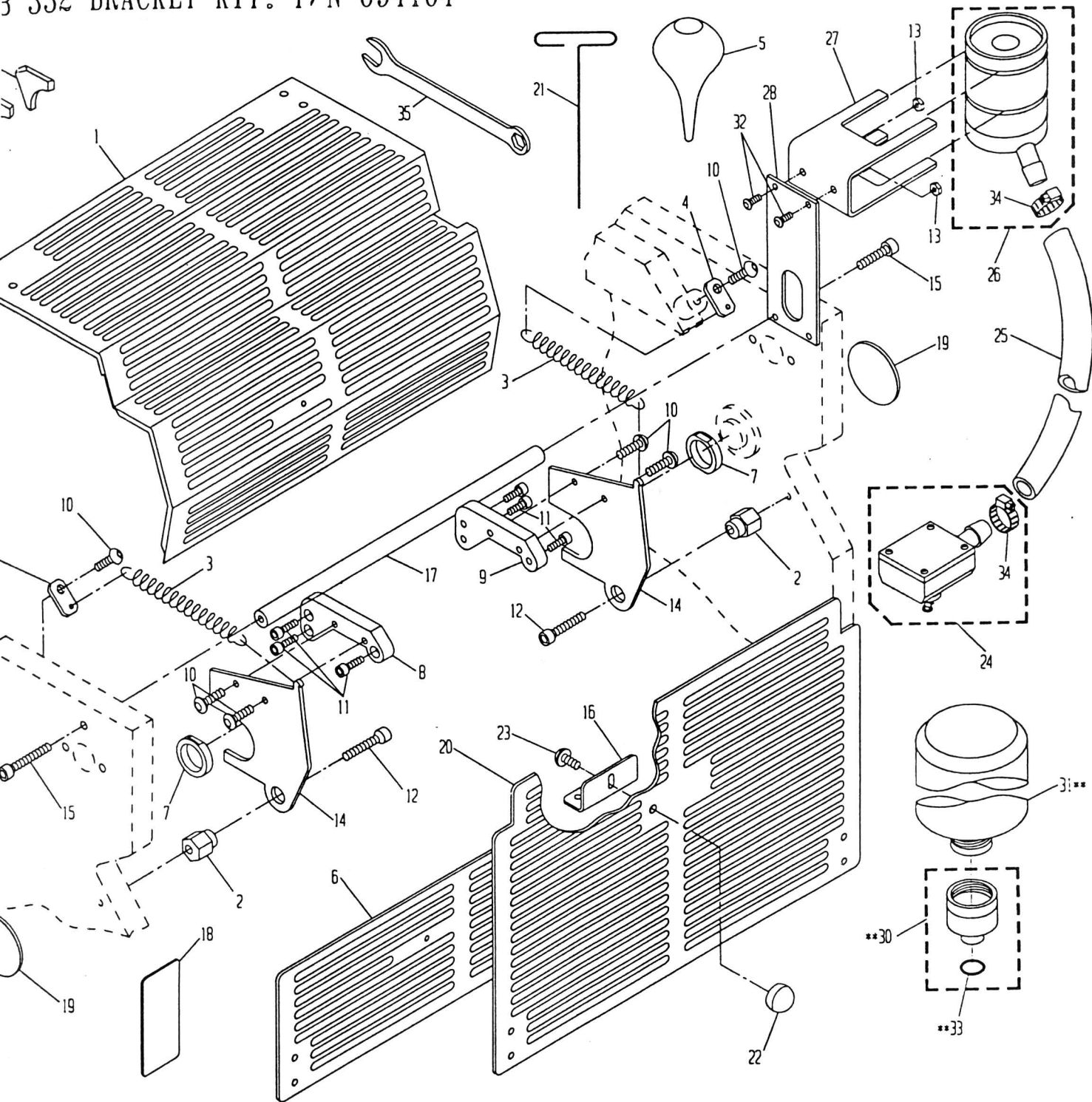
43	094097	SPACER, FORM ROLLER	1
42	091708	SHOULDER SCREW, 6mm	2
41	091262	SHAFT ASSY, S.S.	*
40	092259	SPRING COVER	*
39	092236	TAB SPRING	*
38	090971	TAB, SHORT	*
37	094997	BRACKET, NOZZLE	*
36	091966	WASHER, FLAT	2
35	091949	SPRING PIN	*
34	091997	OSC. RETAINING CLIP	*
33	091965	OSC. RETAINING WASHER	*
32	091111	OSC. DRIVE SHAFT FOLLOWER	*
31	091662	RETAINING RING	1
30	092586	BEARING	*
29	081311	13-1/4 OSC. ROLL. PARTS ASSY	1
ITEM#	PART #	DESCRIPTION	QTY

28	090989	TIE ROD	1
27	092601	SAFETY STICKER	1
26	094240	13-1/4" METERING ROLLER W/B	1
25	091907	#6-32 X 3/8 PHILLIPS HD SCW	*
24	092296	SHOULDER SCREW	*
23	092304	GUIDE PIN	*
22	092604	NOZZLE	*
21	092491	WAVE WASHER	2
20	091900	13-1/4" FORM ROLLER W/B	1
19	092880	GEAR CLUTCH ASSY	1
18	090984	I.D. STICKER (HAMADA)	1
17	091898	M5 x 35mm SOC. HD. SCREW	6
16	092401	BEARING	*
15	091904	M5 x 16mm SET SCREW	2
ITEM#	PART #	DESCRIPTION	QTY

14	091888	M5 x 5mm SET SCREW	4
13	091901	M3 x 6mm SOC HD SCREW	*
12	092238	COMPRESSION SPRING	*
11	090970	BACKING PLATE KIT (HAMADA)	1
10	092370	SEAL SET (L & R)	1
9	092291	ECCENTRIC	2
8	092612	METERING GAUGE	2
7	092007	SPRING, COMPRESSION	2
6	094991	OSCILLATOR POST	2
5	090979	TIE BAR	1
4	098750	BRACKET NOZZLE ASSEMBLY	1
3	090985	ALIGNMENT BLOCK	2
2	090993	L.H. END FRAME	1
1	090994	R.H. END FRAME	1
ITEM#	PART #	DESCRIPTION	QTY

332 BRACKET KIT: P/N 094104

PARTS CATALOG #094102



* ITEM IS INCLUDED WITH OUTLINED SUBASSEMBLY.

** ITEMS 6, 20, 30, 31 & 33 ARE NOT INCLUDED WITH BRACKET KIT (P/N 094104).

ITEM	PART NO.	DESCRIPTION	QTY.	ITEM	PART NO.	DESCRIPTION	QTY.	ITEM	PART NO.	DESCRIPTION	QTY.
1	094385	COVER (SAFETY)	1	13	091968	10-24 NUT (LOCKING)	2	25	092756	1/2" I.D. VINYL TUBING	1
2	094387	PIVOT BLOCK	2	14	094382	MOUNTING BRACKET	2	26	092740	BOTTLE VALVE ASS'Y	1
3	094389	SPRING (EXTENSION)	2	15	091898	M5x 35mm SOC. HD. CAP SCREW	2	27	092749	UNIVERSAL BOTTLE BRACKET	1
4	094391	SPRING CLIP	2	16	094398	MAGNET SUPPORT	1	28	092748	UNIVERSAL BRACKET	1
5	092778	1 oz. SYRINGE	1	17	094401	TIE BAR	1	29	092370	SEAL SET	1
6	094399	SAFETY SHIELD	**	18	094408	RECTANGLE STICKER	1	30	092760	DISPENSING VALVE ASS'Y	**
7	094394	FLANGE	2	19	094409	2" DIA STICKER	2	31	092771	CALIBRATED BOTTLE	**
8	094098	UNIT SUPPORT, L.H.	1	20	094371	LOWER SAFETY SHIELD	**	32	091819	#10-24 x 1/2" BT. HD. SCREW	2
9	094099	UNIT SUPPORT, R.H.	1	21	090756	2.5mm T-WRENCH	1	33	092765	O-RING	*
10	091766	M6 x 12mm BUT HD CAP SCW	6	22	092055	BALL KNOB	1	34	091911	ADJUSTABLE HOSE CLAMP	*
11	091891	M5 x 16mm CAP SCREW	6	23	091840	#10-32 x 3/8 PHILLIPS SCREW	1	35	093554	WRENCH	1
12	091887	6mm x 30 CAP SCREW	2	24	092750	ADAPTER BASE ASS'Y	1				